



SANDUSKY COUNTY EMERGENCY MEDICAL SERVICES



Jeffery J. Jackson
E.M.S. Chief

2100 Countryside Place
Fremont, Ohio 43420

419-332-7313
Fax: 419-334-6511

2019 YEAR END REPORT

PARAMEDICS

State of Ohio Certified Medic (required)	31
State of Ohio Certified EMT	05
Nationally Registered (optional more CE needed per year)	22
Pre Hospital Trauma Life Support	36
Pediatric Advanced Life Support	31
Advanced Cardiac Life Support	31
CPR	36
EMS trained in Crisis Intervention	31

MISCELLANEOUS

EMT student hours	422
Paramedic student hours	1092
CPR trainings	263

AMBULANCE INFORMATION

See attached

2019 Milestones

Obtained Gold Plus level in Mission Lifeline STEMI recognition 3rd year in a row 4th overall submitting.

Entered into a collaboration with Woodville Township Trustees to put LS-19 into service.

Placed two new ambulances in service

WORK RELATED INJURIES TREND

<u>Year</u>	<u>Total Claims</u>	<u>No. Strains</u>
2007	20	5
2008	20	11
2009	15	9
2010	19	7
2011	10	7
2012	14	3 (3 WC filed)
2013	11	6(2 WC filed)
2014	11	6 (6WC filed)
2015	13	2 (3WC filed)
2016	11	5 (1WC filed)
2017	4	2
2018	4	1(WC Filed)
2019	4	3(1WC Filed)

Vehicle Utilization with Miles Driven

GROUP: ALL VEHICLES

'01/01/2019 00:00:01' THROUGH '12/31/2019 23:59:01' [US/EASTERN]

[Refresh](#) [Print Format](#)

#	Vehicle VIN	Vehicle ID	Device ID	License Plate	Start Date	End Date	Driven Miles	Last Odometer	Days Utilized	Last GPS Fix
1	1FDUF5HT1KEE37308	Is-15	87X192890345		01/01/2019	12/31/2019	17770.9	7732.8	333	02/26/2020 15:38:46
2	1GBE4V1998F406988	Is-16	84X183510076		01/01/2019	12/31/2019	6968.1	141011.3	352	02/26/2020 15:33:18
3	1C4RDJAG7CC336650	ems-1	84X183510085		01/01/2019	12/31/2019	130704.0	134106.6	361	02/26/2020 13:31:52
4	1GBE4V1948F406865	Is-13	84X183510093		10/22/2019	12/31/2019	266.6	119252.6	71	02/26/2020 08:52:01
5	1FVACWDT0EHFT7079	Is-14	84X183510089		01/01/2019	12/31/2019	16430.5	134615.2	355	02/26/2020 14:49:51
6	1HTMNAAM17H426093	Is-19	84X183510081		01/01/2019	12/31/2019	117208.0	118828.8	348	02/26/2020 09:19:47
7	1FVACWDT7EHFT7080	Is-17	84X183510078		01/01/2019	12/31/2019	20307.8	121321.8	353	02/26/2020 14:42:56
8	1FDUF5HTXKEE37307	Is-18	87X192890275		01/01/2019	12/31/2019	22039.9	10854.1	355	02/26/2020 14:36:16
9	1HTMNAAL0BH375766	Is-12	84X183510100		10/22/2019	12/31/2019	1186.5	164412.7	71	02/26/2020 14:41:23
10	1FT7W2B66HEF33026	ems-3	84X183510082		01/01/2019	12/31/2019	5701.4	9162.8	361	02/26/2020 15:01:07
11	1FMJU1G56CEF00991	ems-2	84X183510092		01/01/2019	12/31/2019	20824.6	120206.7	354	02/26/2020 15:40:00

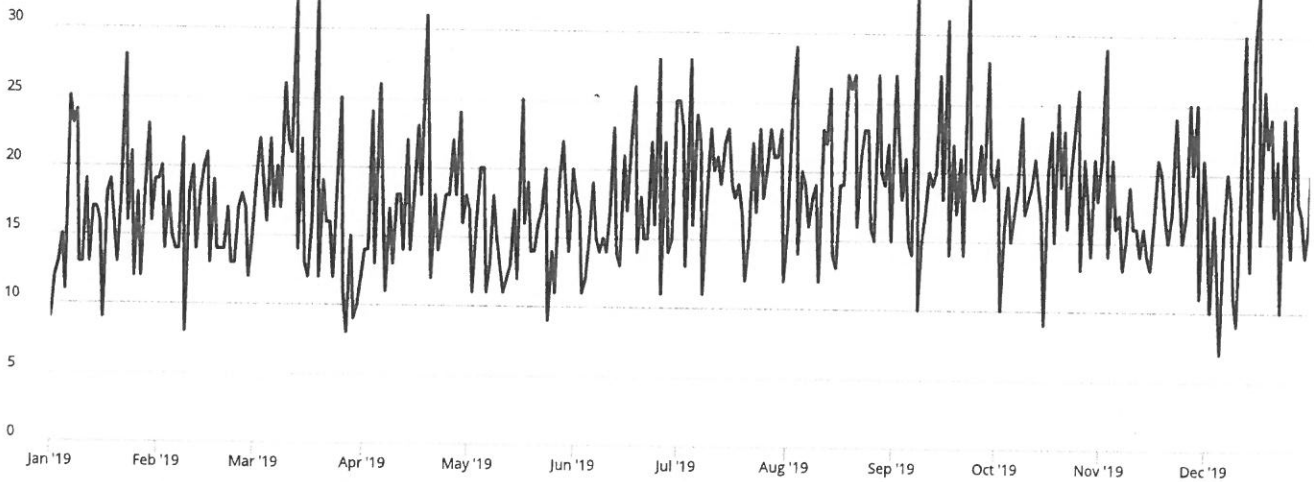
Previous Year ▾ Jan 1, 2019 - Dec 31, 2019 ▾

61%
TRANSPORTS
Percentage of Patient Encounters

39%
NON TRANSPORTS
Percentage of Patient Encounters

6,576
RECORDS
In Selected Time Slice

365
DAYS
In Selected Time Slice



Counts % Rows % Columns % All

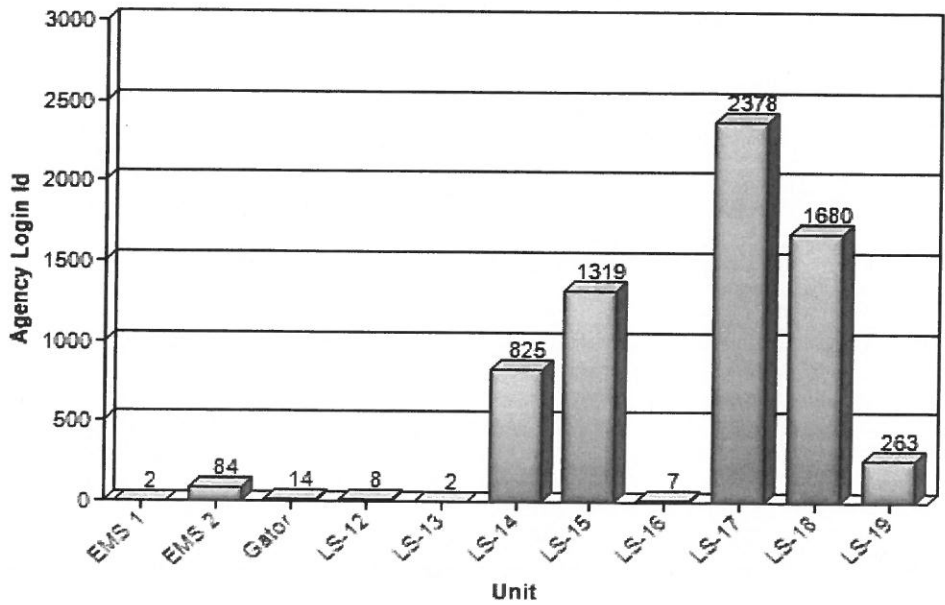
	Jan '19	Feb '19	Mar '19	Apr '19	May '19	Jun '19	Jul '19	Aug '19	Sep '19	Oct '19	Nov '19	Dec '19	Jan '20	Total
Assist, Agency	9	9	10	12	13	13	11	10	11	11	10	7		126
Assist, Unit			1	4	1	1	1	3	2	1		1		15
Cancelled (Prior to Arrival at Scene)	26	22	34	26	28	21	35	27	27	32	20	28		326
Cancelled on Scene/No Patient Found	37	24	22	31	20	35	19	37	26	23	24	33		331
Patient Dead on Scene - No Resuscitation Attempted (Without Transport)		3	9	7	6	4	6	4	7	10	5	6		67
Patient Dead on Scene - Resuscitation Attempted (Without Transport)	3		1	1				5	2	2	2	2		18
Patient Treated, Released (AMA)	94	76	74	110	80	98	97	128	108	90	100	104		1,159
Patient Treated, Transferred Care to Another EMS Professional	5	2	10	4	2	4	4	10	8	7	3	3		62
Standby - No Service or Support Provided	10	6	6	13	7	6	12	8	17	19	11	17		132
Standby - Public Safety, Fire, or EMS Operational Support Provided	21	12	20	24	18	31	33	27	44	33	21	29		313
Transported Lights/Siren	8	6	17	15	10	18	19	11	16	11	25	10		166
Transported No Lights/Siren	303	291	342	295	302	287	371	351	344	337	317	321		3,861

Sandusky County EMS - Call volume by Unit

Date -01-01-2019 and 01-01-2020

Call Volume By Unit

Unit	Total Responses	Total Patients
Gator	14	14
LS-16	7	7
LS-12	8	8
EMS 1	2	2
LS-14	823	825
EMS 2	83	84
LS-15	1312	1319
LS-19	259	263
LS-13	2	2
LS-18	1664	1680
LS-17	2367	2378
	6582	



Call Received Time
between 2019-01-01

and 2020-01-01

ALS v BLS Transports

Level of Service	
Advanced Life Support	2851
Basic Life Support	1176
	Total 4027

Disposition Details

Disposition	
Transported Lights/Siren	166
Transported No Lights/Siren	3861
	Total 4027

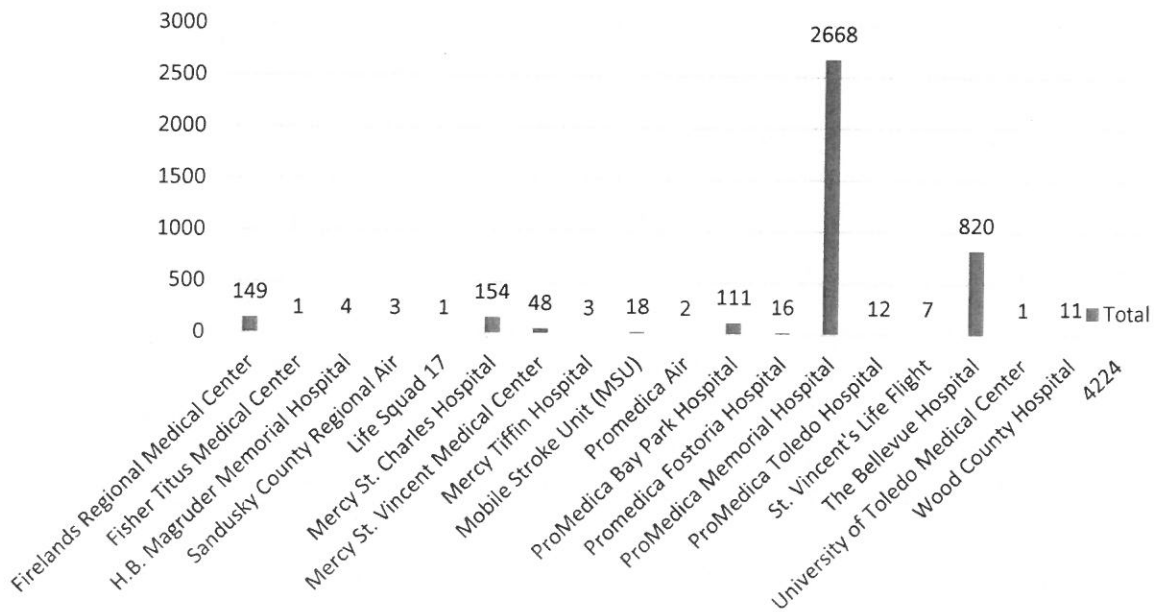
This report shows the total number of transports ALS vs BLS.
Also shows how many of the total transports were transported
emergent (Lights and sirens)

Sandusky County EMS
Hospital Destination

Dispatched Time between 2019-01-01 and 2019-12-31

Destination Locations	Total
Firelands Regional Medical Center	149
Fisher Titus Medical Center	1
H.B. Magruder Memorial Hospital	4
Sandusky County Regional Air	3
Life Squad 17	1
Mercy St. Charles Hospital	154
Mercy St. Vincent Medical Center	48
Mercy Tiffin Hospital	3
Mobile Stroke Unit (MSU)	18
Promedica Air	2
ProMedica Bay Park Hospital	111
Promedica Fostoria Hospital	16
ProMedica Memorial Hospital	2668
ProMedica Toledo Hospital	12
St. Vincent's Life Flight	7
The Bellevue Hospital	820
University of Toledo Medical Center	1
Wood County Hospital	11
4224	

Total



SCEMS Zone Breakdown

Incident Date between 2019-01-01

and 2020-01-01

Zone Breakdown

Zone	
	1
Ballville Township	446
Bellevue	17
Bettsville	6
Burgoon	11
Clyde	950
Fremont	2948
Gibsonburg	396
Green Creek Township	211
Green Springs	10
Helena	44
Jackson Township	64
Kansas	1
Lindsey	44
Madison Township	96
Other	1
Ottawa County	4
Rice Township	96
Riley Township	120
Sandusky Township	338
Scott Township	101
Seneca County	4
Station 19	1
Townsend Township	140
Vickery	13
Washington Township	162
Wood County	5
Woodville	131
Woodville Township	90
York Township	124
	Total 6575

This shows how many times an ambulance was sent to the particular zone (City, Village, township).

Call Volume by Day of Week and Time of Day (Bar Graph)



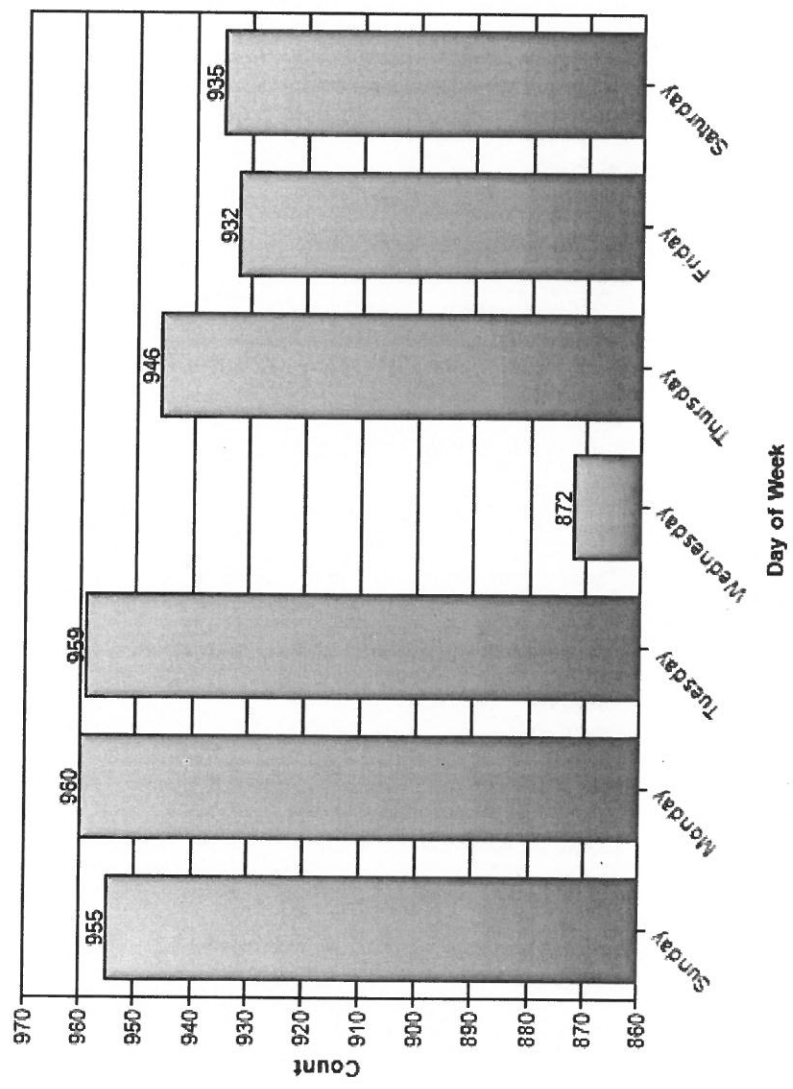
Date Range 1/1/2019

and 12/31/2019

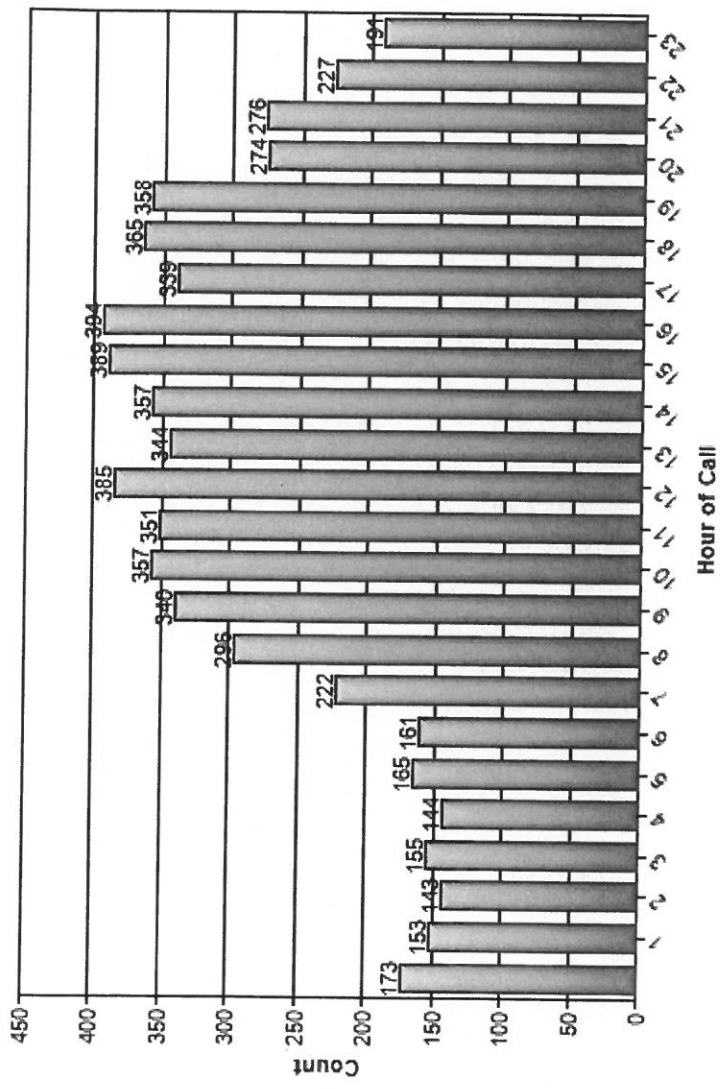


Run Run and Hide Parameters

Calls by Day of Week



Calls by Hour of Day



Report on all stations



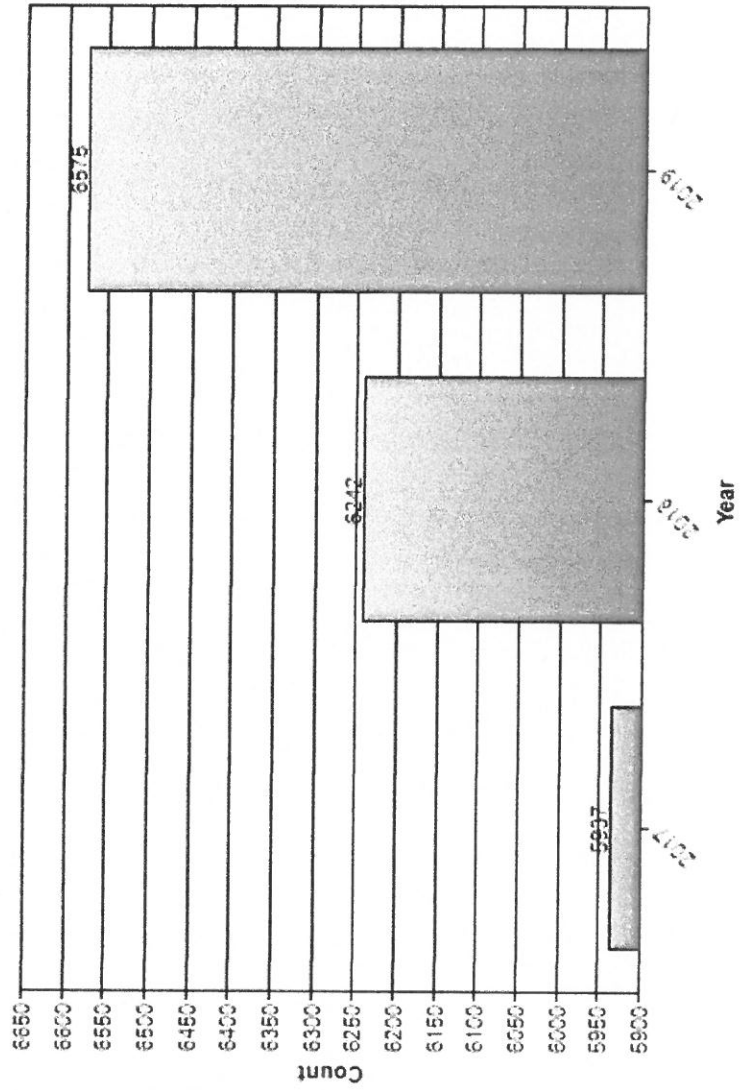
Date: Wednesday, February 26, 2020
Time: 4:06:56 PM

Annual Call Volume (Bar Graph)

Date Range 1/1/2017 and 1/1/2020

Run Run and Hide Parameters

Annual Call Volume



Incident Date between 2019-01-01 and 2020-01-01

Narcan Administered Zone Breakdown

Zone	
Ballville Township	4
Clyde	14
Fremont	91
Gibsonburg	2
Green Creek Township	4
Helena	1
Rice Township	13
Sandusky Township	14
Scott Township	2
Townsend Township	1
Washington Township	1
Woodville	3
Woodville Township	1
York Township	2

Total Administered 153
Total Patients 93

This report shows the doses of narcan administered in each zone.

Incident Date between 2018-01-01 and 2019-01-01

Narcan Zone Breakdown

Zone	
Ballville Township	5
Clyde	21
Fremont	92
Gibsonburg	10
Green Creek Township	5
Lindsey	2
Riley Township	1
Sandusky Township	7
Townsend Township	4
Washington Township	2
York Township	6
	Total Administered 155
	Total Patients 104

This report shows the doses of narcan administered in each zone.